

C36i

User Manual





WARNING

ALWAYS FOLLOW SAFETY PRECAUTIONS

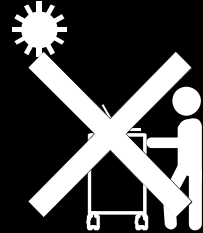
NEVER climb, sit or stand on the cart.



ONLY ADULTS should move the cart.



To reduce risk of electric shock **ONLY** use indoors.



CAUTION

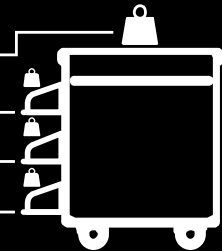
This cart is intended for use only with loading as indicated. Use with loads greater than indicated may result in instability causing possible injury.

≤ 55.1lbs (25kg) —

≤ 105.8lbs (48kg) —

≤ 105.8lbs (48kg) —

≤ 105.8lbs (48kg) —



Please place the devices from the bottom to top shelf to avoid the tilting.

- Death or serious injury may occur when children climb on audio and/or video equipment furniture. A remote control or toys placed on the furnishing may encourage a child to climb on the furnishing and as a result the furnishing may tip over on to the child.
- Relocating audio and/or video equipment to furniture not specifically designed to support audio and/or video equipment may result in death or serious injury due to the furnishing collapsing or over turning onto a child.

CAUTION!

- **DO NOT** allow anyone to sit, stand or climb on the cart.
- **DO NOT** lift the cart.
- **DO NOT** block the ventilation holes used for air circulation.
- **DO NOT** overload objects on the cart shelves. (work platform maximum loading = 25kg / 55.1lbs; each pull-out shelf maximum loading = 48kg / 105.8lbs).
- **DO NOT** put any devices that the weight is over the maximum loading weight on top of cart.
- When moving the cart, **DO NOT** put any devices (ex: TV, Monitor, Documents camera...etc.) on top of cart.
- No TV/monitor is to be used on top of cart.
- Before moving the cart, disconnect the power from the wall outlet.
- While moving the cart, make sure the power cord is secured and tightly wrapped.

FCC NOTICE (Class A)



This device complies with Part 15 of the FCC Rules. Operation is subject to the following two conditions: (1) this device may not cause harmful interference, and (2) this device must accept any interference received, including interference that may cause undesired operation.

Federal Communications Commission Statement

NOTE- This equipment has been tested and found to comply with the limits for a Class A digital device, pursuant to Part 15 of the FCC Rules. These limits are designed to provide reasonable protection against harmful interference in a residential installation. This equipment generates uses and can radiate radio frequency energy and, if not installed and used in accordance with the instructions, may cause harmful interference to radio communications. However, there is no guarantee that interference will not occur in a particular installation. If this equipment does cause harmful interference to radio or television reception, which can be determined by tuning the equipment off and on, the user is encouraged to try to correct the interference by one or more of the following measures:

- Reorient or relocate the receiving antenna.
- Increase the separation between the equipment and receiver.
- Connect the equipment into an outlet on a circuit different from that to which the receiver is connected.
- Consult the dealer or an experienced radio/television technician for help.

Class A ITE

Class A ITE is a category of all other ITE which satisfies the class A ITE limits but not the class B ITE limits. Such equipment should not be restricted in its sale but the following warning shall be included in the instructions for use:

Warning - This is a class A product. In a domestic environment this product may cause radio interference in which case the user may be required to take adequate measures.

European Community Compliance Statement (Class A)



This product is herewith confirmed to comply with the requirements set out in the Council Directives on the Approximation of the laws of the Member States relating to Electromagnetic Compatibility Directive 2014/30/EU.

Warning - This is a Class A product. In a domestic environment this product may cause radio interference in which case the user may be required to take adequate measures to correct this interference.

DISCLAIMER

No warranty or representation, either expressed or implied, is made with respect to the contents of this documentation, its quality, performance, merchantability, or fitness for a particular purpose. Information presented in this documentation has been carefully checked for reliability; however, no responsibility is assumed for inaccuracies. The information contained in this documentation is subject to change without notice.

In no event will AVer Information Inc. be liable for direct, indirect, special, incidental, or consequential damages arising out of the use or inability to use this product or documentation, even if advised of the possibility of such damages.

TRADEMARKS

“AVer” is a trademark owned by AVer Information Inc. Other trademarks used herein for description purpose only belong to each of their companies.

COPYRIGHT

©2017 AVer Information Inc. All rights reserved.

All rights of this object belong to AVer Information Inc. Reproduced or transmitted in any form or by any means without the prior written permission of AVer Information Inc. is prohibited. All information or specifications are subject to change without prior notice.



The mark of Crossed-out wheeled bin indicates that this product must not be disposed of with your other household waste. Instead, you need to dispose of the waste equipment by handing it over to a designated collection point for the recycling of waste electrical and electronic equipment. For more information about where to drop off your waste equipment for recycling, please contact your household waste disposal service or the shop where you purchased the product.

Contents

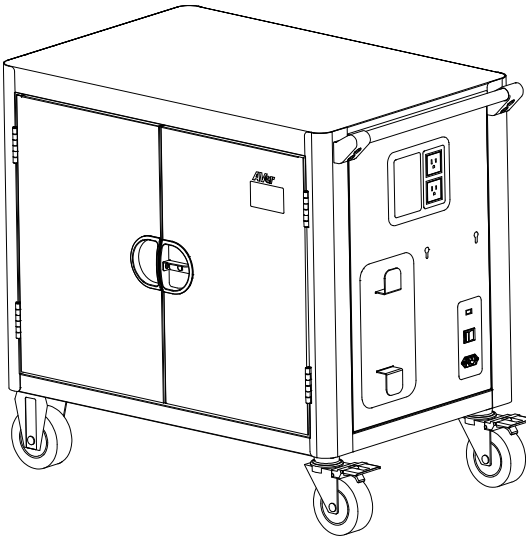
INTRODUCTION	1
Package Contents	1
Dimensions	2
Diagram	2
Front	2
Back	3
Side	3
Door Lock	4
LED Indicators	4
INSTALLATION	5
Cable Management	5
Charging the Cart	9
Intelligent Timer	10
FIRMWARE	10
SPECIFICATIONS	11
TROUBLESHOOTING	13
SERVICE AND WARRANTY	13

Introduction

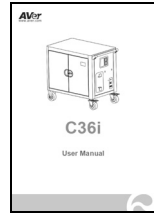
C36i is an intelligent charging cart supporting that allows to charge, secure and store a variety of mobile devices such as Chromebooks, laptops and tablets up to 14". The embedded intelligent charging mechanism assures the devices are safely charged in the most efficient manner. The pull-off shelves, individual adaptor compartment, innovative plastic partition and other innovations allow easy device management and easy cable management.

Package Contents

The following items are included in the package. Please check if each item is available before using.



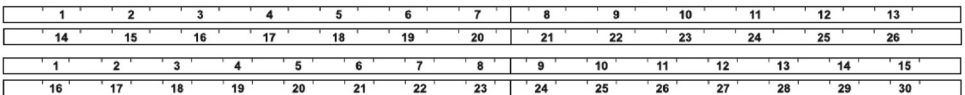
C36i Cart



User Manual

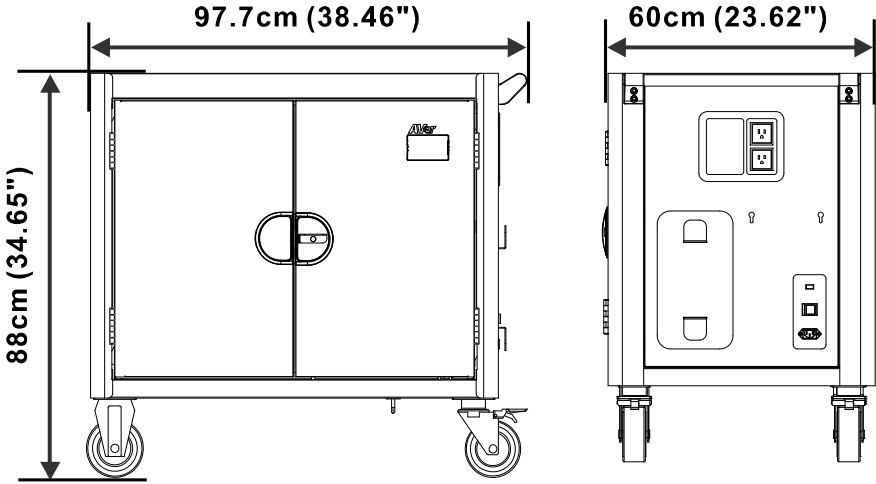


Power Cord



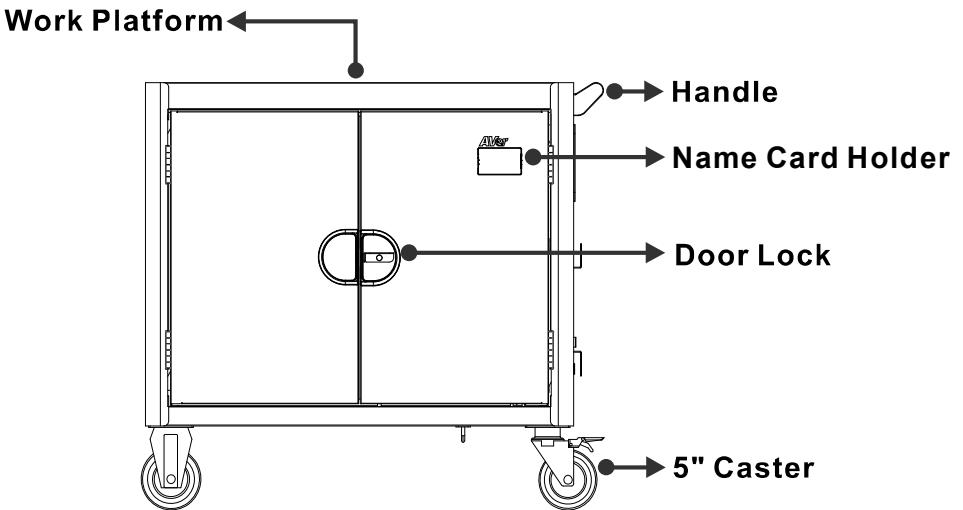
Slot Number Stickers x 4

Dimensions

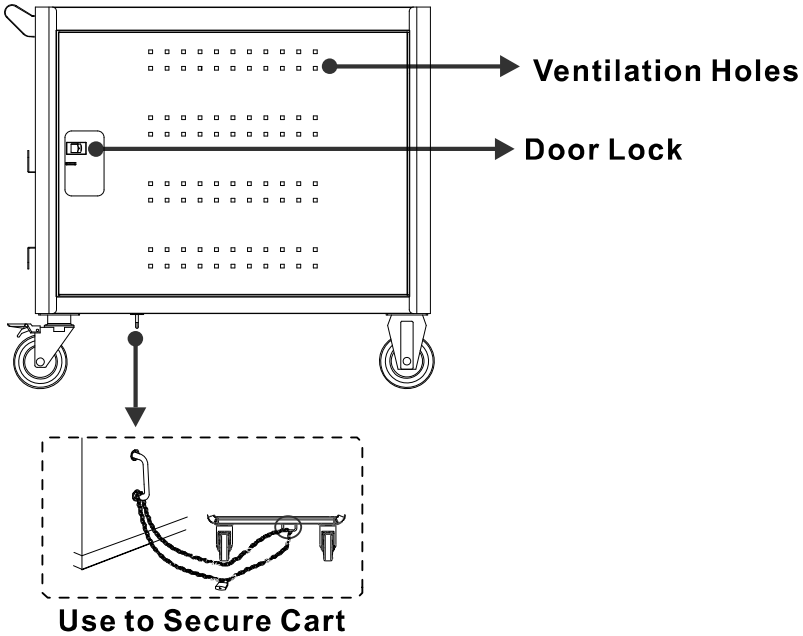


Diagram

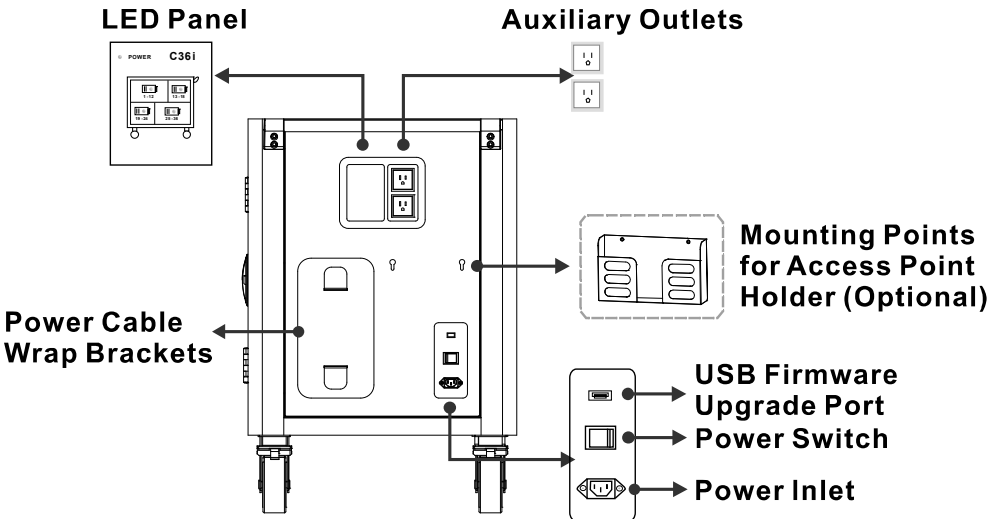
Front



Back



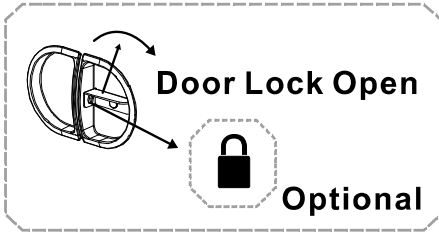
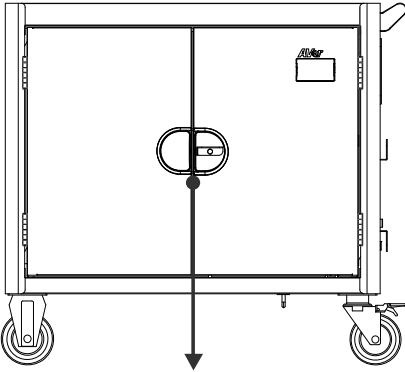
Side



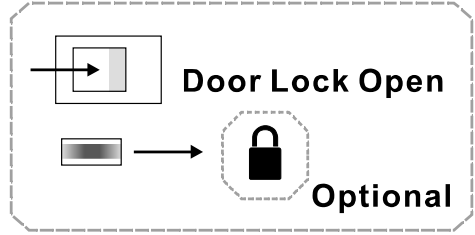
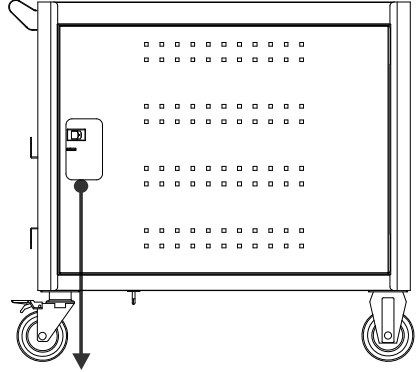
[Note] Please make sure the Access point holder is balanced and installed securely to cart.

Door Lock

Front



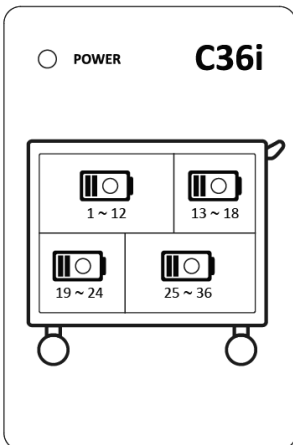
Back



[Note]

The shackle dimension of front and back doors are limited to Ø8mm (0.31”).

LED Indicators



LED	Signal
Power x1	1. Solid Green: ON 2. Solid Orange: Over Current 3. Red Blink: abnormal (Call Support)
Device Status x4	1. OFF: No Charging 2. Solid Blue: Charging

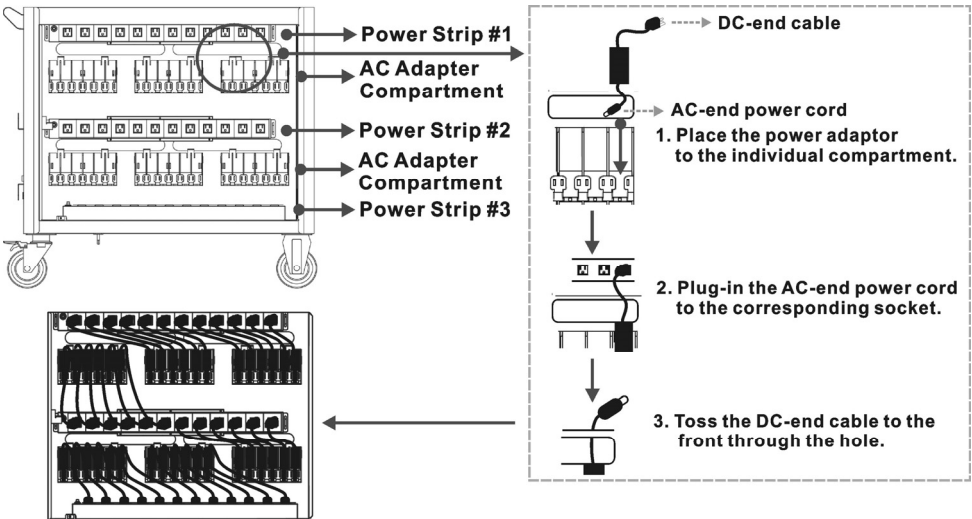
Installation

[Note]

1. It is recommended to use cable ties (optional) to secure and manage cables.
2. It is recommended to allocate 2 persons for efficient device cabling.

Cable Management

Back

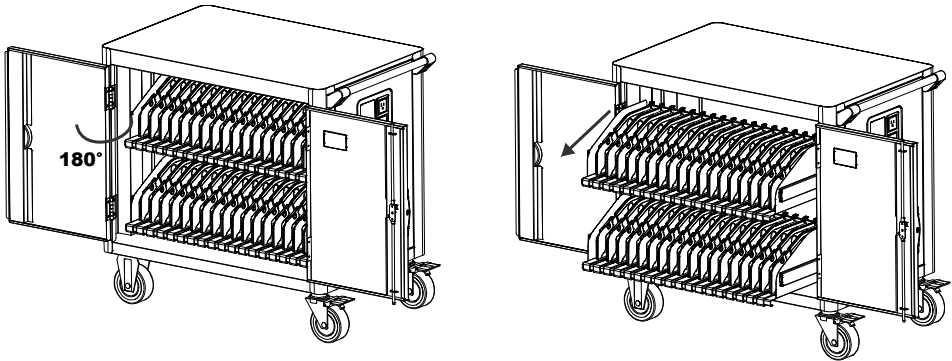


1. Open rear door.
2. Pre-route the power adaptor cables to leave approximately 100cm (39.37") excess DC-end cable and 25cm (9.84") excess AC-end power cord. Secure the bundle cables with existing cable tie or zip-tie (not supplied).
3. Place the power adaptor in to the individual adapter compartment.
4. Plug-in the AC-end power cord to the corresponding power AC socket.
5. Pass the DC-end of the adapter cable to the front of the cart through the space provided.

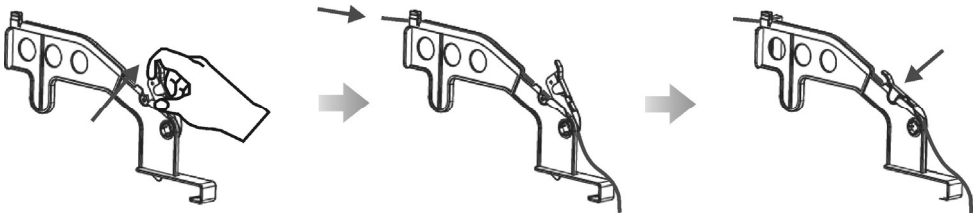
[Note]

To be compatible with different power adaptor types, the bottom power strip #3 is adjustable if necessary.

Front



1. Open front double doors
2. Pull out each shelf until it is fully extended.



3. Release the cable clamp.
4. Route the adaptor DC-end cable. Along with the V-shape routing groove.
5. Snap the locking piece to firmly secure the DC-end cable.
6. Place the mobile device into the bay.
7. Plug in the DC-connector to the mobile device.

Adjustable Width: Configuration

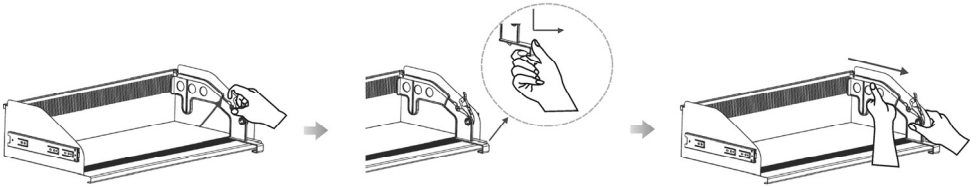
The slot width can be adjusted to fit mobile devices with larger height (>3.4cm / 1.34"). C36i provides two options:

- 15 bays per shelf with 4.1cm / 1.61" per slot width.
- 13 bays per shelf with 4.8cm / 1.89" per slot width.

Follow the steps as below to adjust the slot width:

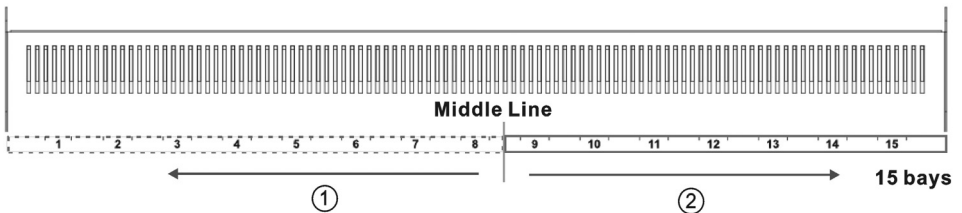
Remove the Plastic Partition

1. Release the locking piece.
2. Loosen the front clip.
3. Push back the plastic partition.



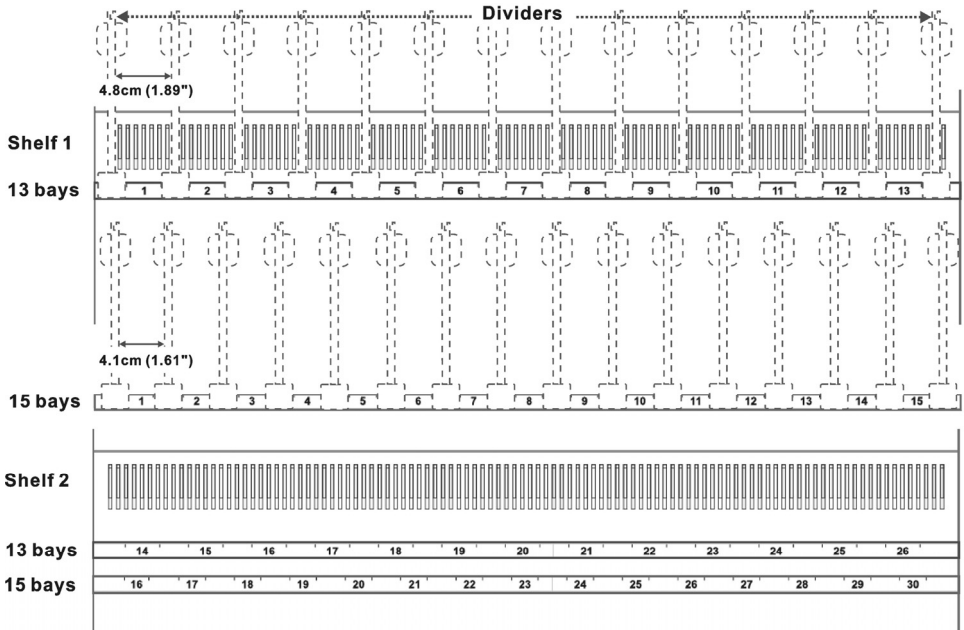
Paste Slot Number Stickers

1. Align the middle line.
2. Paste the left sticker (13 bays: No.1~7 / 15 bays: No.1~8)
3. Paste the right sticker (13 bays: No.8~13 / 15 bays: No. 9~15)



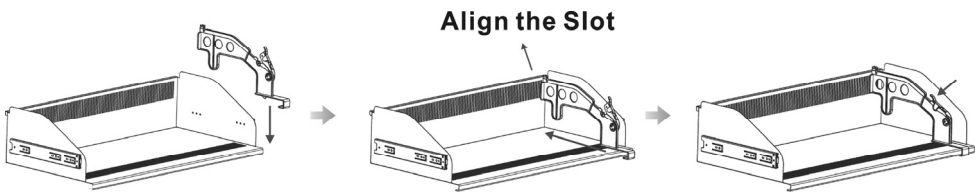
4. Repeat steps 2 and 3 to paste the stickers on bottom Shelf.

- Left: 13bays: No. 14-20 / 15bays: No. 16~23
- Right: 13 bays: No. 21~26 / 15 bays: No. 24~30



Install the Plastic Partition

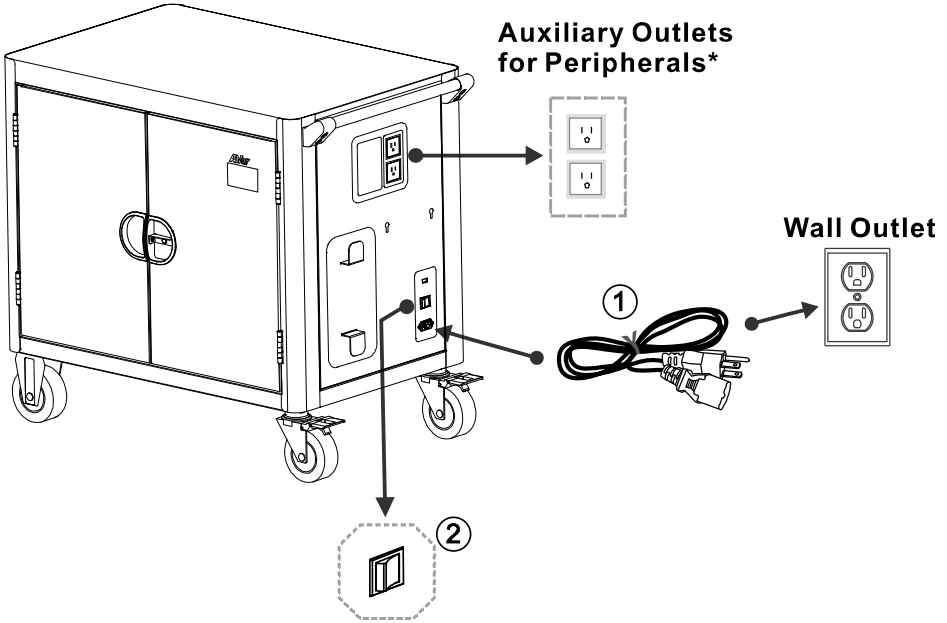
Based on the marks and aligned the slot to install the plastic partition back in.



[Note]

Release the partition docking piece before installing back in

Charging the Cart



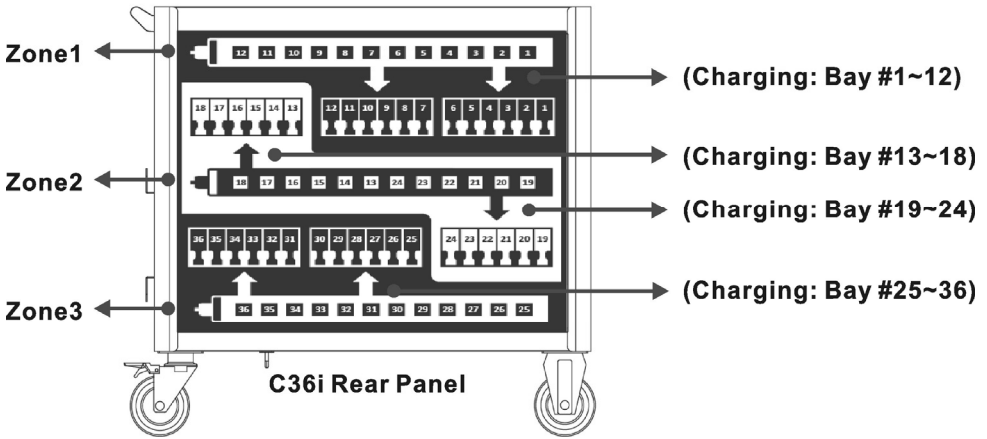
- ① Connect power cord to C36i cart and wall outlet.
- ② Set the power switch to **ON** position to begin charging.

[Note]

1. Set the power switch to the **OFF** position before plugging the cart to wall outlet.
- 2.* Auxiliary outlet and power inlet type may vary as they are country dependent.

Intelligent Timer

36 bays for C36i are divided into 3 zones (12 bays for each zone).



Firmware

Firmware can be upgraded with typical USB thumb drive via with external Type-A USB port. Please follow the steps below to upgrade your firmware:

1. Prior use, the USB thumb-drive is formatted to FAT or FAT32 filesystem
2. Copy the firmware binary file (*.bin) to USB thumb-drive
3. Turn **OFF** C36i and then insert the USB thumb-drive
4. Turn **ON** C36i, and the firmware upgrade will be processed automatically. The Power LED displays **RED → AMBER → GREEN → RED...** by turns and Status LEDs are **OFF** during the upgrading.
5. Once the firmware upgrade is completed, Power LED is flashing **GREEN**, and Status LEDs are all **ON**.
6. Turn **OFF** C36i, remove USB thumb-drive.

[Note]

C36i supports USB thumb-drive for the following criteria:

1. FAT or FAT32 filesystem (need to format if necessary).
2. 32GB capacity maximum.
3. USB 2.0 high speed interface.

Specifications

Model	C36i
Capacity	36 (two shelves, 18 bays per shelf)
Tablet Support	Chromebook/Notebooks/Tablets up to 14"
AUX Outlets	2
LEDs Status Indicators	Status LED (x4): Solid Blue when charging
Charging Type	AC Receptacle
Power Specification	<p>Two different power specification provided by region:</p> <p>100-120V~50/60Hz</p> <ul style="list-style-type: none"> - AC IN: 12A - Power Strip (x36 ports): 8A - AUX outlet (x2 ports): 4A <p>220-240V~50/60Hz</p> <ul style="list-style-type: none"> - AC IN: 8A - Power Strip (x36 ports): 6A - AUX outlet (x2 ports): 2A
Security	<p>Front Door: 3-point locking mechanism with padlock hole</p> <p>Rear Door: Padlock hole</p> <p>[Note] Padlock is not included in the package</p>
Casters	Four 5" casters: two are lockable
Pull-off Shelves	Yes (x2)
Intelligent Charging Mechanism	Yes
Working Temperature	0°~30°C
Working RH%	10%~90%
Storage Temperature	-40°C~60°C
Storage RH%	5%~95%

Top Surface(work platform)	25kg (55.1lbs)
Shelf Support Weight(ea.)	48kg (105.8lbs)
Adapter Shelves(ea.)	3kg(6.6lbs)
Access point holder Loading	3kg
Warranty	10 years cart and tray 5 years electrical components
Cart Dimensions (W x D x H)	97.7(W) x 60(D) x 88 (H) cm 38.46"(W) x 23.62"(D) x 34.65"(H)
Slot Dimensions (W x D x H)	Adjustable Slot Width: <u>36 bays</u> 3.4(W) x 36(D) x 26(H) cm 1.34"(W) x 14.17"(D) x 10.24"(H) <u>30 bays</u> 4.1(W) x 36(D) x 26(H) cm 1.61"(W) x 14.17"(D) x 10.24"(H) <u>26 bays</u> 4.8 (W) x 36(D) x 26(H) cm 1.89"(W) x 14.17"(D) x 10.24"(H)
Weight without Devices	66kg / 145.5lbs

Troubleshooting

Q: Why do all my devices have plugged in, but they can not be charged?

A: 1. Make sure power cords are undamaged.

2. Make sure power cords have firmly inserted into the available socket with stable current.

3. Make sure the power plug and current consumption are compliance with the standard; the specifications to each country are different.

Q: My power cord or components are damaged. Are they covered under warranty?

A: For the cart and tray, we supply up to 10 years warranty, and about the included electrical components we supply up to 5 years warranty.

Q: How can I know if my devices will accept how much more than allowed current?

A: Have a qualified electrician to verify the current consumption of your devices. Perform the test with devices installed and batteries discharged.

Q: When I plug in the device it trips the circuit breaker. What is wrong?

A: Maybe you have other equipment or appliances to share the same circuit that you may be overloading it. Have a qualified electrician check that adequate power is available in the circuit.

SERVICE AND WARRANTY

All of our products come with a quality and safety assurance.

To activate your FREE service, please go on-line and register at

<http://registration.aver.com/Global/Login.aspx> so that we can serve you better.